



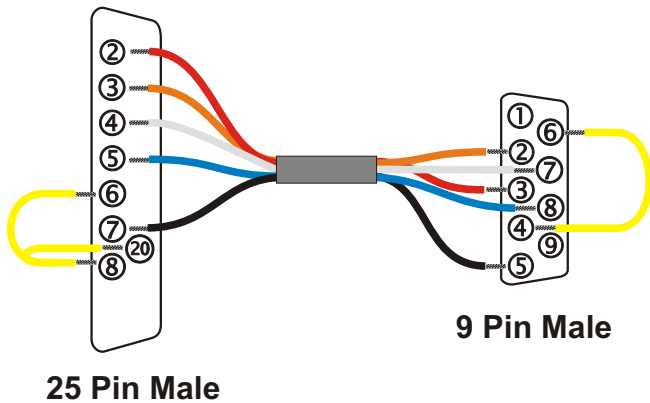
Standard RS232 cable

Tested on Fanuc
Haas
Heidenhain

This cable works for Xon/Xoff and RTS/CTS - however if you are using Xon/Xoff and the machine does not have RTS raised (pin 4 normally) then you may experience problems sending (is very slow and does not send the whole file).

In this instance make a software handshake cable by linking 4-5 at the machine end and 7-8 at the Pocket PC end and this will work.

HP Jornada

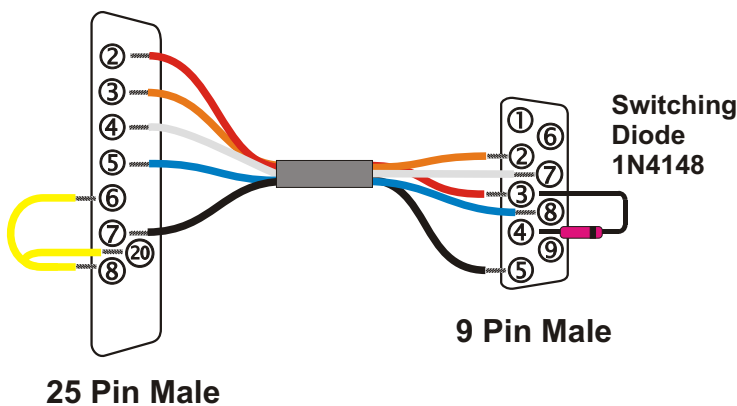


25 Pin Male

9 Pin Male

3	—	Brown	—	2
2	—	Red	—	3
7	—	Black	—	5
4	—	White	—	7
5	—	Blue	—	8
6	—			6
8	—			4
20				

Dell Axim



25 Pin Male

9 Pin Male

3	—	Brown	—	2
2	—	Red	—	3
7	—	Black	—	5
4	—	White	—	7
5	—	Blue	—	8
6	—			4
8	—			3
20				

The Dell Axim requires a switching diode 1N4148 to be connected to pins 3 and 4 with the cathode bar on body on pin 3